

# SPECIFICATIONS

Electrical rating: 120/240 volts AC 60 HZ @ 50amperes.  
ETL listed for US and Canadian applications.

Maximum generators: 12KW

Enclosure: NEMA Type 1, 16 GA Steel, For Indoor Use Only!

Dimensions:

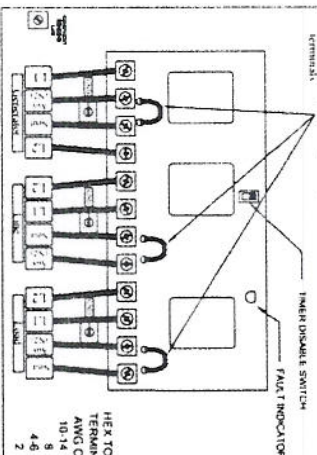
Model      Height      Width      Depth      Weight  
ATS 501    3.75 in.    8.70 in.    11.05 in.    6.0 lbs.

**Not ignition protected.**

**SPECIFICATIONS SUBJECT TO CHANGE WITHOUT PRIOR NOTICE.**

This Automatic Line/Generator switch is rated for use on a circuit capable of delivering not more than 5000 RMS symmetrical amperes 240 VAC MAX. Operating Ambient 35°C. Max All field wire terminals - CU 2-14 Equipment Ground. All GND terminals - CU 6-14

Note: (1) All single "H", "N", & "E" wires ONLY if 35A Federal spec and 15A Aviation capability is required. (2) All jumpers directly above jumper wire terminals.



**FAULT INDICATOR:** The fault indicator LED is to be removed excepting the ATS 501. The indicator comes on when the generator is running and the generator mode when a fault occurs. At every 10 second scan to determine connection and the fault indicator will come on and the unit will not start. In the event that the fault indicator comes on do the following: Turn off the generator or generator breaker. Turn on the standby power supply if the fault indicator comes back on, repeat the above steps. If the fault light comes on 3 or more times consecutively contact Parallax RV service center.

**FAULT DISABLE SWITCH:** The inner disable switch is intended for applications where the typical 30 second delay before switching to the standby power supply is not desired. Turn the switch to the "ON" position. The switch is labeled "DISABLE".

**IT IS NOT RECOMMENDED TO OPERATE THE UNIT WHILE USING A GENERATOR AS AN AUXILIARY POWER SUPPLY!**

HEAT TOOL SIZE 5/32"	
TERMINAL TORQUE RATINGS	
AWG CU	INCHES
10-1	40
8	45
4-6	50
2	



## Wiring Instructions

**Warning! Potential for Electrical Shock Exists!**

The ATS 501 should be installed by a qualified electrician.

Refer to the wiring label included on the inside cover of each unit for terminal identification and torque specifications.

## WARRANTY STATEMENT

Parallax warrants each ATS to be free from defects in materials and workmanship under normal use and service and limits the remedies to repair or replacement. This warranty extends for two years from the date of purchase and only valid to the original owner and within the continental limits of the United States and Canada. If a problem should occur within the first 24 months of purchase, please contact a dealer that handles warranty on your brand of boat or RV.

No user serviceable parts inside. This warranty does not cover damage due to improper installation, abuse or accidents.

Download the **Parallax Power Supply Warranty Policy** at:

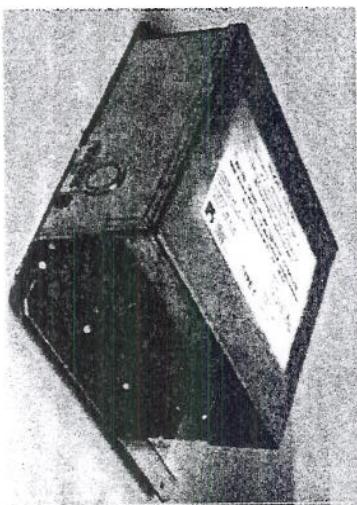
<http://www.parallaxpower.com/warranty.htm>



A division of Connecticut Electric, Inc.  
100 West 11<sup>th</sup> Street Suite 100  
ANDERSON, IN 46016  
[www.parallaxpower.com](http://www.parallaxpower.com)

## MODEL ATS 501 Series AUTOMATIC LINE / GENERATOR SWITCH

**FOR RECREATIONAL VEHICLE USE ONLY!  
NOT FOR LIFE SUPPORT!**



ATS 501



us Listed for RV Use in the U.S.A. and Canada.

Intertek

PN # 011-5171-001

REV B

## INTRODUCTION

Thank you for purchasing the Parallax Model ATSS501 automatic RV Line/Generator switch. We are confident that the ATSS 501 will give you outstanding performance for many years. If you have any questions or comments about this product, please contact Parallax's customer service representative at the address or phone and fax numbers listed below.

Parallax Power Supply  
100 West 11<sup>th</sup> Street Suite 100  
Anderson, IN 46016  
Phone: 1-800-443-4859  
Fax: 1-765-608-5235

## GENERAL INFORMATION

The ATSS 501 is designed to automatically switch the on board 120 or 240 volt appliances to generator power when the generator is activated.

No longer do you need to go outside, remove the shoreline cord from the pole and plug it into the generator receptacle. Likewise in marine applications you simply start the generator and the ATSS501 will switch to the generator as the load supply power source for you.

## OPERATION

After the ATSS 501 is installed using one of the typical configurations I, II, or III shown in this manual, it will be ready for years of trouble free service. Operation is automatic and is maintenance free.

### FROM SHORELINE:

To operate appliances from shoreline power, simply plug in the shoreline cord to the power pole at the campground or dock. The ATSS 501 automatically connects all AC Appliances to shoreline power.

### FROM GENERATOR:

To operate appliances from on board generator simply start the generator. After a typical 20 second delay to allow the generator to stabilize the ATSS 501 will engage, transferring all 120 or 240-volt appliances connected to the ATSS 501 load terminals to the generator.

## AUXILIARY CONTACT OPERATION

The ATSS 501 RV line generator switch when connected as in the typical configuration III shown in this manual may control other equipment in your vehicle. The auxiliary contacts are rated for 30 A @ 120 VAC operation and will switch other loads as the ATSS 501 switches from shore power to generator. These contacts are supplied as non-energized dry contacts.

## MOUNTING LOCATION

The ATSS 501 series may be installed in any position, leaving room for routing shoreline, generator and load conductors. To minimize voltage drop in the wiring the transfer switch should be located as close to the generator and shoreline cord entrance as practical.

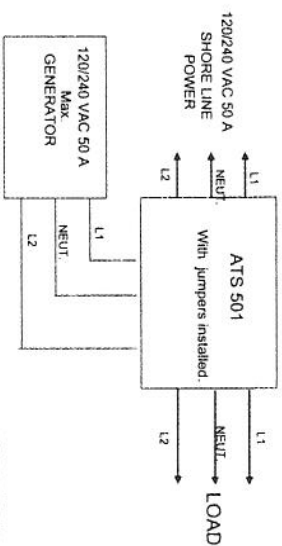
**DO NOT** install the ATSS 501 series in the generator compartment.

The ATSS 501 series is **not ignition protected** and should not be mounted in the same compartment as batteries or flammable materials such as gasoline. It may be mounted in the cabin or living area or a basement compartment, but is not suitable for outside locations.

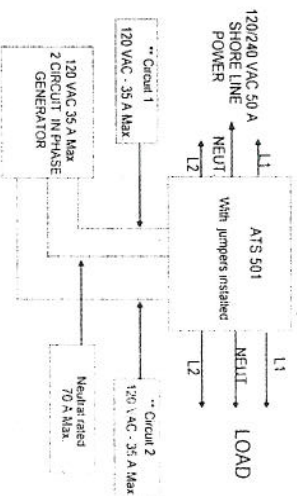
The ATSS 501 should be installed by a qualified electrician.

## Typical Configurations

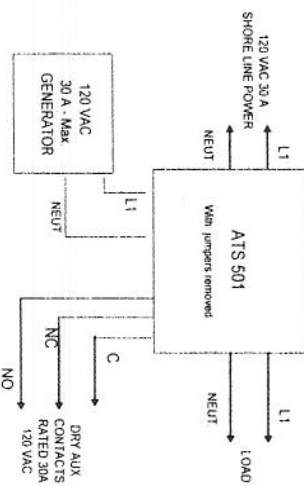
### CONFIGURATION I



### CONFIGURATION II



### CONFIGURATION III



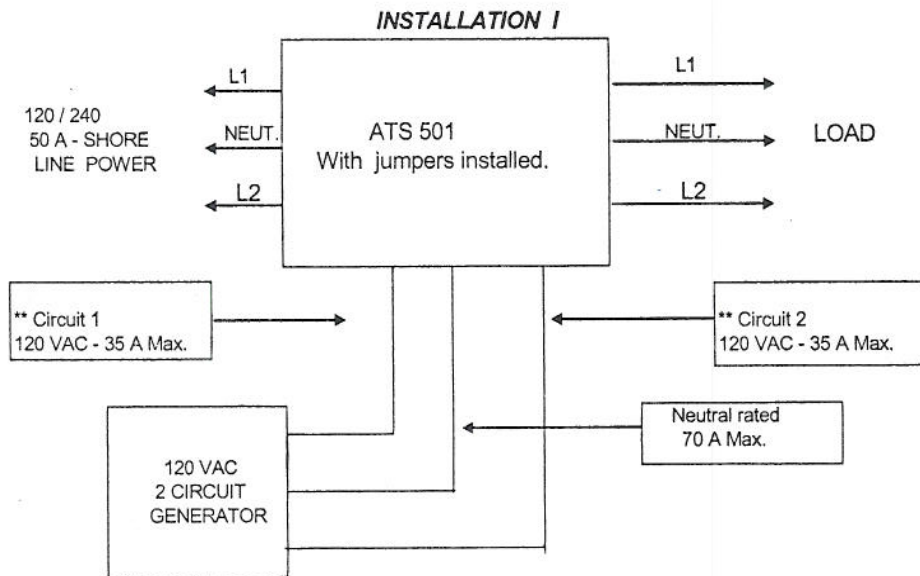


PARALLAX  
POWER  
SUPPLY L.L.C.

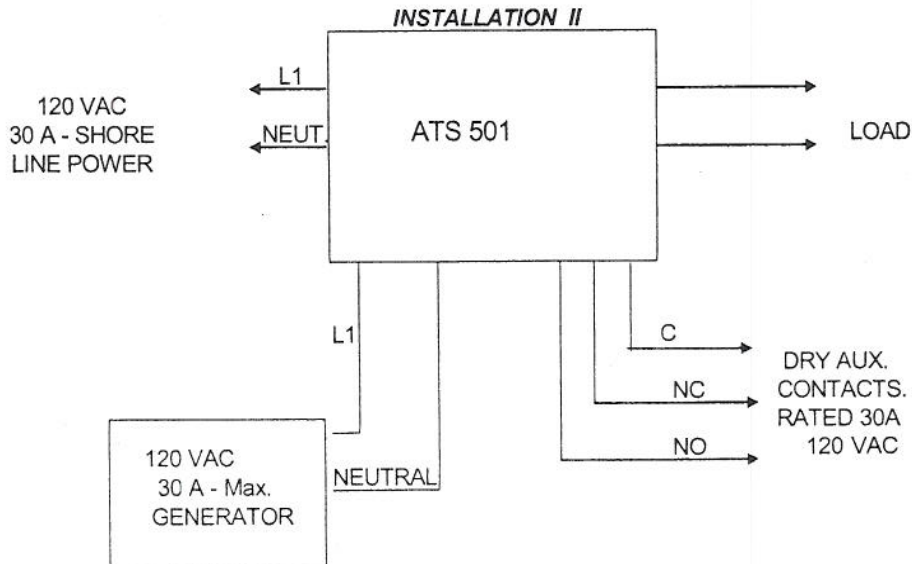
## ATS 501 Installation Guide

### Typical Installations

Rated - 50A 120/240 Volts 60Hz, Neutral rated 70A with jumpers installed.



\*\* Note: Circuit1 and Circuit 2 in phase.



REV: A